

# The Tournus assets



**Safety and style :**  
straight edges 40 mm high, flattened surround.



**Rigid :**  
work surface, 1.2 mm thick, with water-repellent laminated panel and aluminium frame.

**Easy assembly :**  
easy self-locking push fitting. Patented system.

**Easy installation :**  
legs in at the rear for tables with backs (60 mm).



## Catering tables

**Comfort :**  
sound-proofed sink and draining board.

**Eye-catching :**  
strip 40 mm high and splashback bent like the tables and units of the range.



**Easy assembly :**  
legs and container cover assembled using screws.

**Easy installation :**  
legs in at the rear for tables with backs (80 mm).

## Catering sinks

**Comfort :**  
lined, sliding doors suspended from a rail fitted on the top part, with end-of-travel stop block.

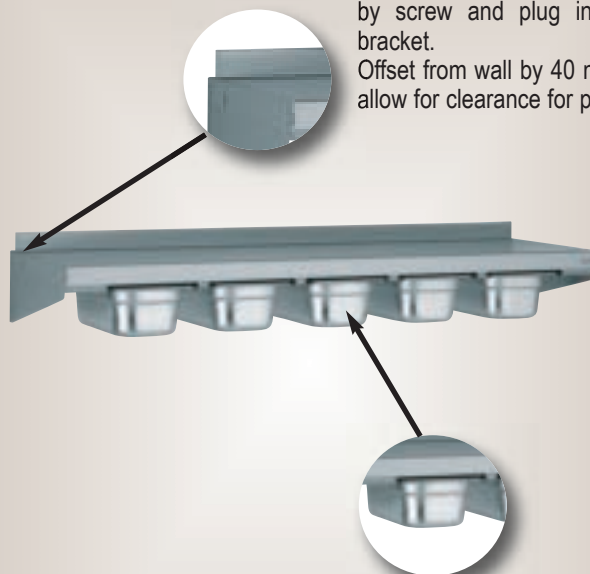


**Easy installation :**  
units supplied on pallet with screw jacks (adjustment range: 50 mm).

**Modular :**  
adjustable shelf.

## Catering units

**Simple installation :**  
independent brackets, fixed by screw and plug in wall bracket. Offset from wall by 40 mm to allow for clearance for pipes.



**Modular :**  
container support possible (containers supplied).

## Catering shelves